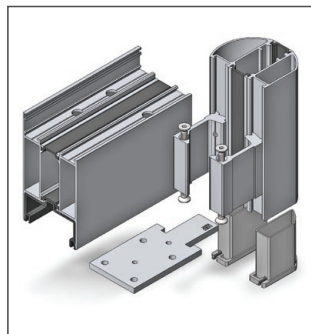


Technical Specification

Thermal Commercial Door System



A thermally efficient product designed for installation in schools, offices and commercial buildings where enhanced building regulations and security standards are required. This fully compliant Thermal Commercial Pivot Door is designed for high traffic footfall and tested to PAS24 security standards.

The DDA compliant door system is compatible with the Kestrel Thermal Framing and Window Systems providing commonality of design and an all-in-one solution.

Slimline profiles minimise sight-lines whilst ensuring excellent thermal performance all year round.

PAS24 Configurations

- Single and double door
- Single door access control
- Single door panic hardware

Design Options

- Single and dual colour
- Double and triple glazing
- Manual pivot door
- Automatic pivot or sliding door
- Single or multipoint lock
- Range of DDA compliant thresholds
- Anti-finger-trap stile



TECHNICAL SPECIFICATION

Application	Commercial, new build and refurbishment.	
	Single Door	Double Door
Maximum width	1100mm	2200mm
Maximum height	2500mm	2500mm
Jointing	Mechanical	Mechanical
Internally beaded option	Yes	Yes
Glazing options	Will accept insulating glass units and infill panels 28 – 47mm thick.	
Finishes	<p>Mill finish.</p> <p>Etched and anodised Silver AA25 or colours on request.</p> <p>Polyester powder coat paint. See separate list for standard colour range available.</p>	
Single or dual colour profiles	Option	
Design standards	<p>BS EN 12020-2:2001 <i>Aluminium and aluminium alloys, extruded precision profiles.</i></p> <p>BS 3987:1991 <i>Specification for anodic oxide coatings.</i></p> <p>BS EN 12206-1:2021 <i>Paints and varnishes, coating of aluminium and aluminium alloys.</i></p> <p>BS 4873:2016 <i>Specification for aluminium alloy windows and doorsets.</i></p> <p>BS EN 14351-1:2006+A2:2016 <i>Windows and doors, performance characteristics.</i></p> <p>BS EN ISO 10077-2:2017 <i>Thermal performance of windows, doors and shutters.</i></p> <p>PAS 24:2016 <i>Enhanced security performance requirements for doorsets and windows.</i></p>	



Kestrel Aluminium Systems Ltd., 180 Rupert Street, Aston, Birmingham, B7 5DT

Tel: **0121 333 3575** • Fax: **0121 333 5335** • Email: info@kestrelaluminium.co.uk • www.kestrelaluminium.co.uk



We operate a continuous development programme and we reserve the right to amend specification without prior notification. Please contact the technical department for further information. All copyright, trademarks and registered design rights for the products detailed in this brochure are the property of Kestrel Aluminium Systems Ltd.

